

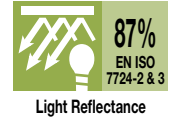



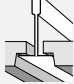
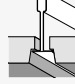
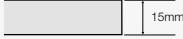
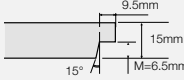
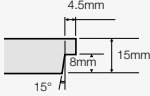
BIOGUARD PLAIN
(ISO 5)

Inspiring Great Spaces™

Armstrong®
CEILING SOLUTIONS

BIOGUARD PLAIN (ISO 5)



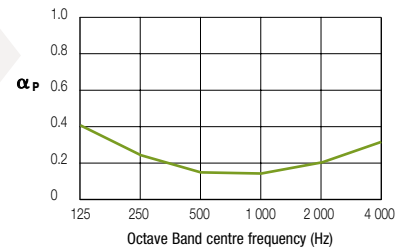
BIOGUARD	BOARD	TEGULAR	MICROLOOK
			
	Prelude 24 - XL ² /TLX / Prelude 24 CR - TLX Clean Room 24	Prelude 24 - XL ² /TLX Clean Room 24	Prelude 15 - XL ² /TL Interlude HRC - XL ²
			
600 x 600 x 15 mm	2221 M	2223 M	2224 M
625 x 625 x 15 mm	2221 D	2223 D	2224 D
1200 x 600 x 15 mm	2222 M		
1250 x 625 x 15 mm	2222 D		



EN ISO 354 &
EN ISO 11654

α_w	NRC	125	250	500	1000	2000	4000	Hz
0.20(L)	0.20	0.40	0.25	0.15	0.15	0.20	0.30	α_p

Class E



EN ISO 10848-2
& EN ISO 717-1

D_{nfw}	35 dB
------------------------	--------------



EN ISO 140-3
& EN ISO 717-1

R_w	19 dB
----------------------	--------------



EEA	Euroclass A2-s1, d0
EN 13501-1	

RUS	KM1 (G1, V1, D1, T1)
FZ 123	



EN 12667
& ISO 8301

$\lambda = 0.060$ W/m K



ISO 14644-1

ISO 5



95 % RH



15 YEAR
guarantee



30 YEAR
system
guarantee



≈ 3.6 kg/m²



Please contact our Armstrong Technical Sales Group for further details.

www.armstrongceilings.eu